

# Laundry Tup - One Bowl



## Models

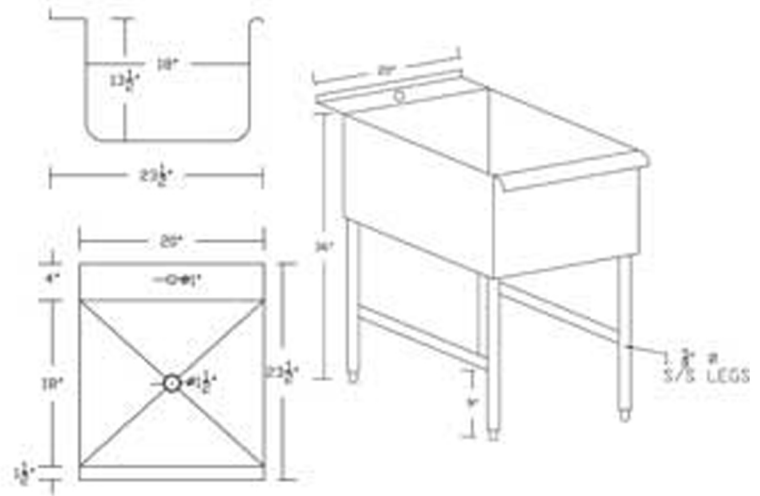
- ULT-1-20

## Options

- Stainless steel elgs
- Hook - on - drainboard (up to 24")
- Welded drainboard (up to 24")
- Economy wall mount faucet
- Heavy duty wall mount faucet
- Wall mount pre-rinse spray assembly comes with brackets
- Add - on - faucet for pre-rinse spray assembly

## Specifications

- Constructed of 16 gauge stainless steel 304 #4
- Interior is radiused at the front and the rear. This is done to improve drainage and ease in cleaning
- Galvanized - painted tubular legs standard (1-5/8") comes with adjustable leveling feet (stainelss steel legs optional)
- Comes with corner drains, overflows and perforated stainless steel guard



## Model

## Bowls

## Bowl Size

## Overall Dimensions

ULT-1-20

1

18" x 20"

20" x 23-1/2" x 36"